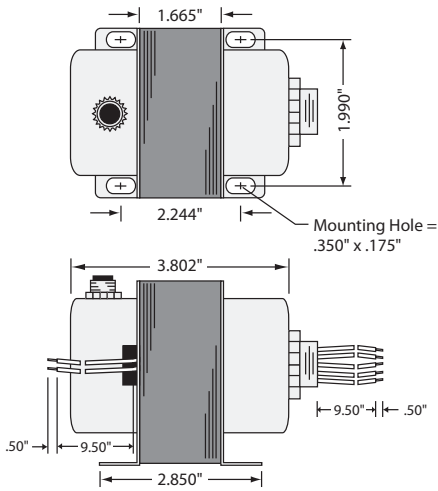


TRANSFORMER

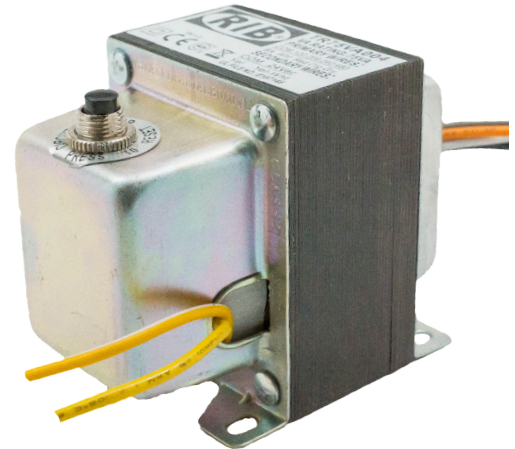
TR75VA004

Transformer 75 VA, 480/240/208/120 to 24 Vac, Circuit Breaker, Foot and Single Threaded Hub Mount and Side Opening



PRIMARY WIRES	SECONDARY WIRES
Gry - 480 Vac	Yel/Wht - 24 Vac
Org - 240 Vac	
Red - 208 Vac	
Wht - 120 Vac	
Blk - Comm	Yel - Comm

Secondary Yel/Wht wire in phase with Primary Blk wire.



SPECIFICATIONS

- VA Rating:** 75
- Frequency:** 50/60 Hz
- Mounting:** Foot & Single Threaded Hub
- Over Current Protection:** Circuit Breaker
- Dimensions:** 3.802" x 2.515" x 3.050" (w/ .500" NPT Hub)
- Wire Length:** 9.5" Typical w/ .5" Strip
- Operating Temperature:** -30 to 140° F
 - MTBF: 100,000 Hours @ 77° F
- Construction:** Split-Bobbin
- Weight:** 3.60 lbs.
- Approvals:** Class 2 UL5085-3 Listed, C-UL, CE, RoHS